

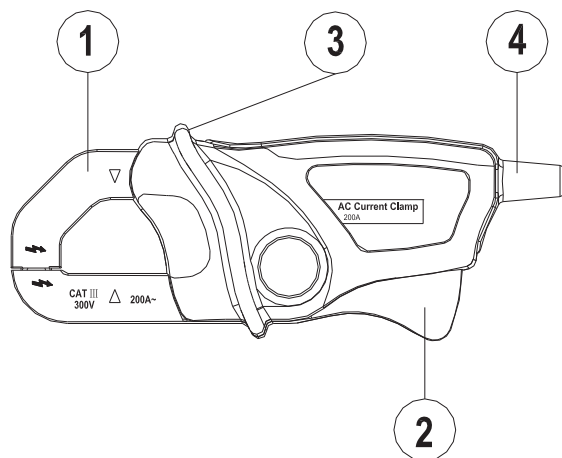
ETHOS 3175 SPECIFICATION

General Specification

Output Impedance	<1k Ω
AC Bandwidth	40 to 400Hz
Jaw opening	16 mm
Operating conditions	32°F to 86°F (0°C to 30°C) 90%RH; 86°F to 104°F (30°C to 40°C) 75%RH; 104°F to 122°F (40°C to 50°C) 45%RH
Storage conditions	-22°F to 140°F (-30°C to 60°C); < 90% Relative Humidity
Altitude	Operate at less than 3000 meters
Weight	129g
Dimensions	111 x 50 x 33mm (HXWXD)
Standards	IEC1010-1 (1995); EN61010-1 (2001) Category II 600V, Category III 300V CE

Range Specification

Function	Range	Output	Sensitivity	Accuracy (of reading)
AC Current (50/60Hz)	0~200A	1mV/A	1A/mV AC	$\pm 2.0\% \pm 0.5A$



Adaptor Description

1. Current sense jaw
2. Clamp trigger
3. Safety barrier
4. Voltage output lead

ETHOS
Test Instruments

Distributed by MTi

Email: enquiries.ethos@adivision.co.uk

Web: www.ethos-instruments.co.uk